



CLASSIC ROTARY MOULDER

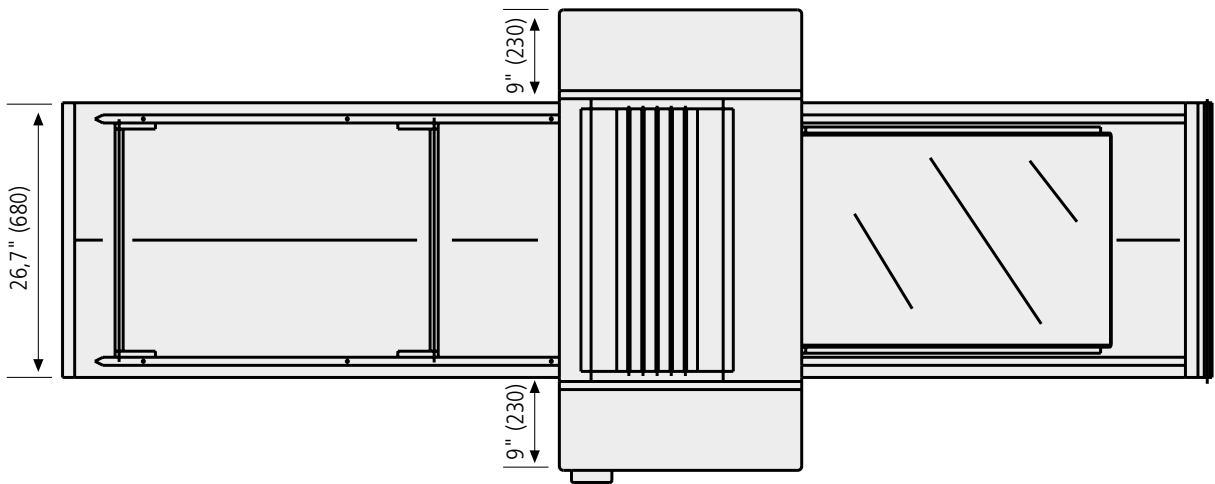
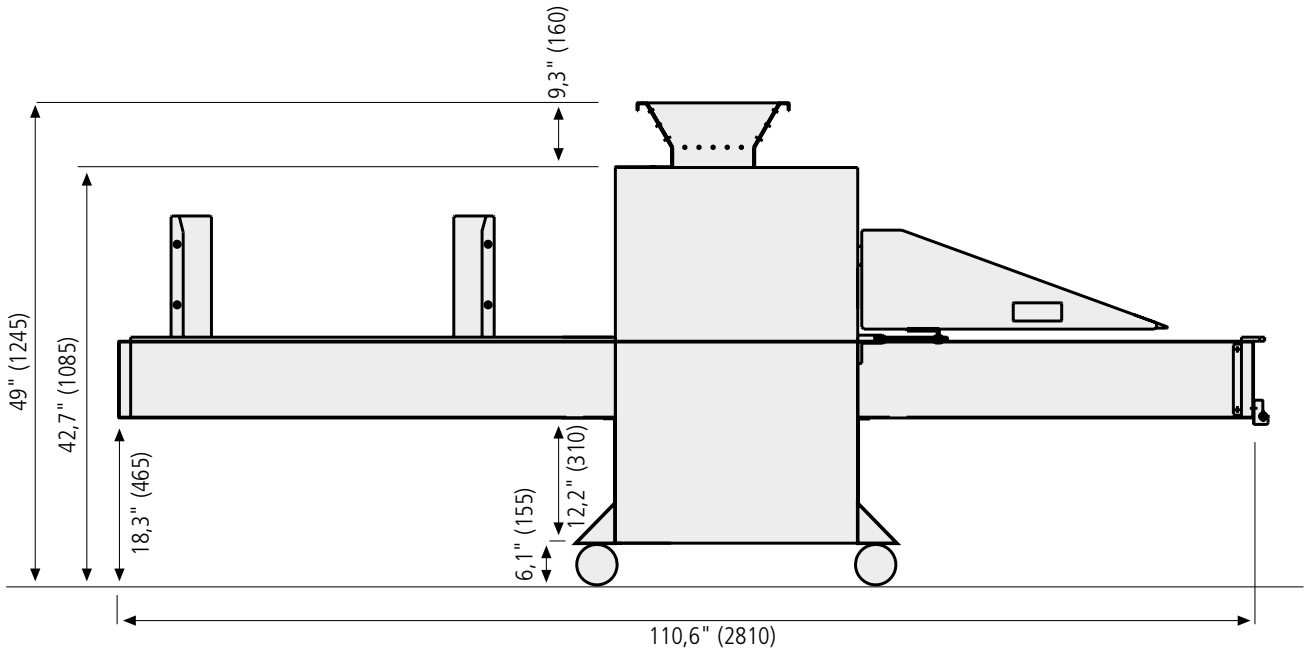
ROTATIVA RTV CLASSIC ROTARY MOULDER

RTV CLASSIC ROTARY MOLDER IS AVAILABLE FOR HUGE SHORTBREAD RANGE OF BISCUIT'S PRODUCTION.

All machines are equipped by:

- stainless steel frame;
- 2 castors wheels;
- 2 fixed wheels;
- dough feeding adjustment with feeding roller key ($\varnothing 7,3'' - 186\text{mm}$);
- scraper position and pressure are adjustable;
- one-sided adjustable rubber roller pressure according with biscuits releasing;
- automatic loader of trays and detector of tray presence;
- pneumatic side skid belt control device;
- adjustable speed (by inverter);
- safety devices;





	TRAYS SIZE		HOPPER CAPACITY	TRAYS/HOUR 1ST SPEED	UNBAKED BISCUITS OUTPUT	POWER	WEIGHT
	width	length					
	in (mm)	in (mm)	l	n°	lb/h (Kg/h)	kW	lb (Kg)
RTV 450	14,1÷18,1 (360÷460)	51,2 (1300)	40	420	638 (290)	0,75	1320 (600)
RTV 600	22÷23,6 (560÷600)	0,6/0,7 (15/18)	50	420	704 (320)	0,75	1540 (700)