



POLIN



POCKET 4666 6065

Pocket 4666

# VERSIONS

## FLEX ENERGY

It is the version designed for those who need to easily and specifically determine production parameters for each type of product, from large bread loaves to very fine pastries.

To the high technological standards and unique features of the Smart version, new features have been added to this version, specifically designed to make it perfect for particularly flexible production cycles. The inverter technology enables the speed / air volume variation in the room, getting the highest quality for each product type.



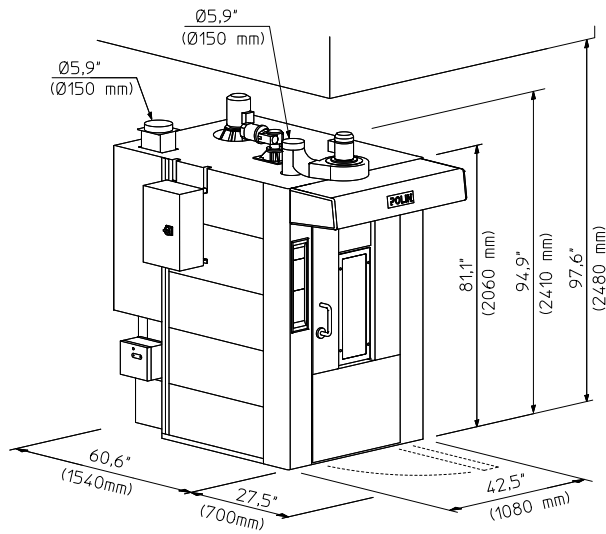
## HI CONTROL

Hi Control is the version of the pocket oven which combines all the features of the flex version with the several features of the new modern computer equipped with polin touch keyboard. Through a 7-inch capacitive display in high definition, all oven functions can be managed instantly with a simple touch: from automatic power on to energy saving stand-by and from the programming of each stage of baking to the storing of recipes. Polin touch also allows for an easy and clear viewing of the controls, alarms and diagnostics. It facilitates the analysis of much of the production data, including monitoring the efficiency of the oven and the baking processes.

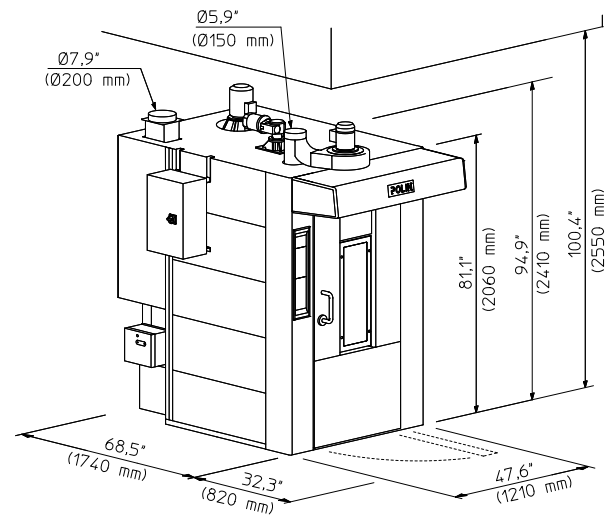
Pocket in Hi Control version is a generous oven from all points of view.

# FEATURES

## POCKET 4666



## POCKET 6065



POCKET 4666 6065

			4666 SC	4666 SE	6065 SC	6065 SE
Oven weight	lb (kg)		1870 (850)	1870 (850)	2420 (1100)	2420 (1100)
Trays capacity	n°		15/18	15/18	15/18	15/18
Trays pitch	in (mm)	0,6 (15)	3,8 (97)	3,8 (97)	3,8 (97)	3,8 (97)
		0,7 (18)	3,2 (81)	3,2 (81)	3,2 (81)	3,2 (81)
Trays dimensions	in (mm)		18,1x26,0 (460x660)	18,1x26,1 (460x660)	18,1x30,0 (460x760)	18,1x30,0 (460x760)
					20,1x28,7 (510x730)	20,1x28,8 (510x730)
Minimum door width	in (mm)		19,7 (500)	19,7 (500)	19,7 (500)	19,7 (500)
Electrical power	kW		1,6	35,9	2	43,2
Increased electrical power	kW		-	-	-	-
Thermal power	Btu/h (kcal/h)		178.574,4 (45.000)	-	198.416,1 (50.000)	-

**SE** Electrical

**SC** With a burner (fuel type: L.P.G., natural gas, diesel fuel)