

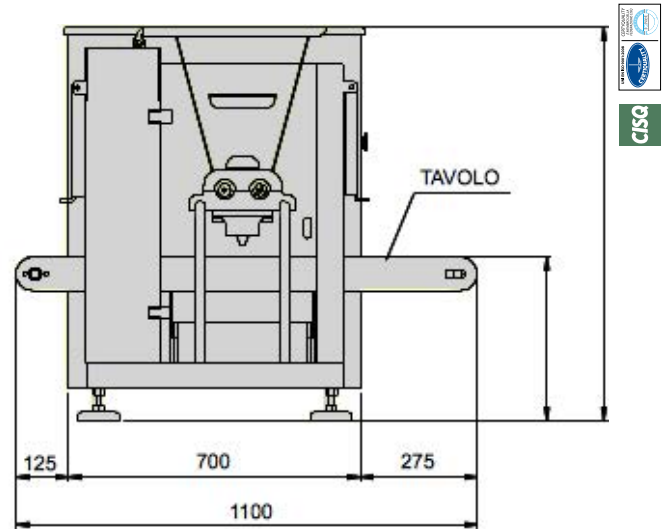
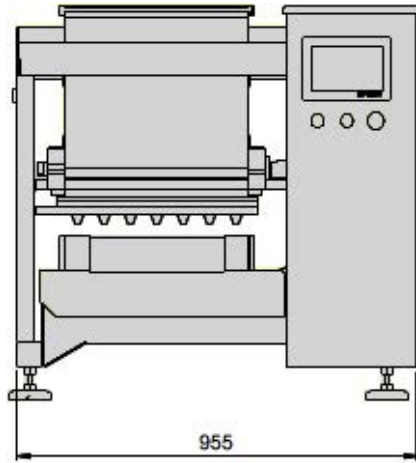
MULTIDROP COMPACT



Multi-purpose depositor machine. The 100 program computer and design allows the operator to process a wide range of doughs and batters into many types of final products

All machines are equipped with:

- Stainless steel frame and braking casters
- Easily detachable table
- Hard dough head with stainless steel rollers, aluminum head shoulders, and plastic bushings
- Head easy to disassemble and wash
- Hard and soft dough heads can be fitted interchangeably according to different types of dough/batter
- Touch-screen computer with color display (7")
- CE compliance certificate



	Tray size		Hopper capacity	Strokes		Tension	Power	Weight
	Width	Max. Length		Depositor	Wire cut			
	mm	mm	l	n°/min.	n°/min.	Volt	kW	Kg
COMPACT 46	460	700	35	20	30	220/1N~/60	1.3	200

**Max strokes/min. with average 1 sec. depositing time, can be faster or slower depending on product size