

WKM.E 160-400

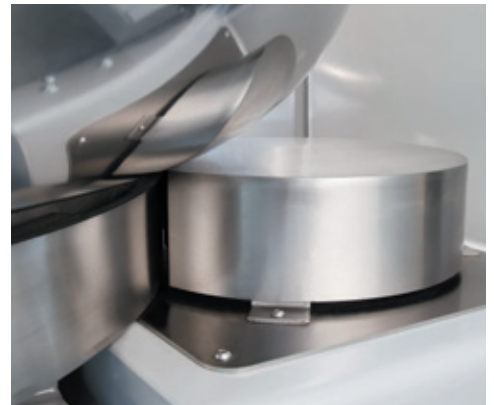
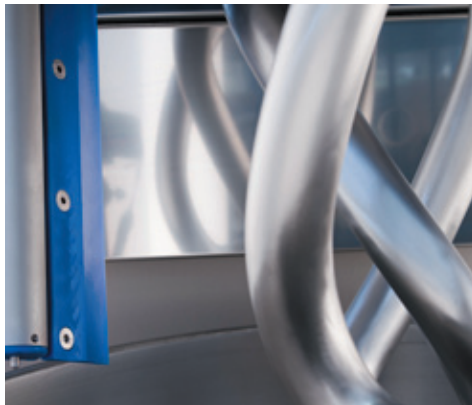
DOUBLE EIGHT TOOLS MIXER WITH
REMOVABLE BOWL/TROLLEY

MIXER
ART OF MIXING

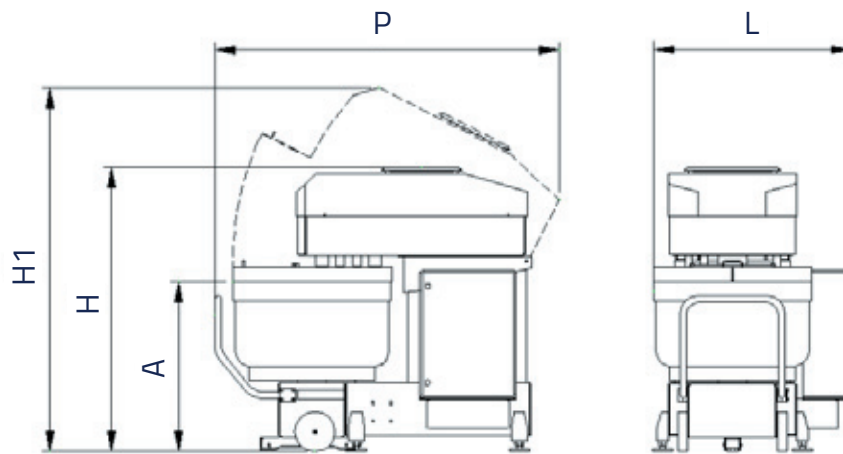
INDUSTRIAL

CAPACITY (kg)

- 160
- 400
- 240



TECHNICAL FEATURES



TECHNICAL DATA

MODEL		WKM.E 160	WKM.E 240	WKM.E 400
Dough capacity (min./max) *	Kg	10/160	15/240	30/400
Flour capacity (min./max) *	Kg	6/100	9/140	18/250
Water capacity (min./max) *	Lt	4/60	6/100	12/150
Bowl volume	Lt	260	364	600
% water/flour minimum	%	50	50	50
Tool turns 1st/ 2nd speed (50/60hz)	rpm	120/240	116/224	112/220
Bowl turns 1st / 2nd speed (50/60Hz)	rpm	9.5/19	8/16	8/16
Motor power 1st / 2nd speed	kw	12.2/17.4	17.7/24.6	25/34.7
Current drawn V 230 / 400	A	59/35	84/49	115/67
Tools bar diameter	mm	40	48	48
Height from bowl edge	A mm	980	1060	1150
Total depth	P mm	2064	2155	2380
Total width	L mm	1240	1230	1330
Total height	H mm	1620	1770	1825
Total height with head lifted	H1 mm	2150	2315	2470
Net weight	kg	1620	1850	2320

*: capacity based on the percentage of liquid/flour = 60%

All data are to be considered as nominal, MIXER srl reserves the right to make any changes to the product and/or technical specifications without notice.

STANDARD FEATURES

- Painted steel rack
- Bowl, dust protection lid and contrast column made of stainless steel AISI 304
- Double tools made of stainless steel AISI 431
- Bowl on wheeled trolley
- Side bowl scraper
- Movement to tools by pulleys and V-belts with reduction gear in oil bath.
- Movement to bowl by a coupling with elastic and tilting clutch wheel and belt speed reducer
- Head lifting/lowering and trolley releasing/coupling controlled by hydraulic cylinders with dedicated control unit.
- Electric control with two timers
- Automatic shift from 1st to 2nd speed.

ON REQUEST

- Rack and guard in stainless steel with micro-shot peening treatment
- Computer with 8" touch screen monitor
- Inverter system to adjust tools' speed
- Interface with automatic dosing
- Mixer head automatic lowering device (sensitive ring)
- Dough contact probe
- Dough cooling device by injection of cryogenic gases
- Automatic opening at end cycle
- Electric panel on left
- Electric panel separate from the machine body (max. mm. 2000)
- Loading nozzles for powder and/or liquids
- Punctured bowl's bottom for draining washing water
- Special voltage/frequency 230/50/3 – 220/60/3 – 380/60/3
- Packaging in wooden create 380/60/3