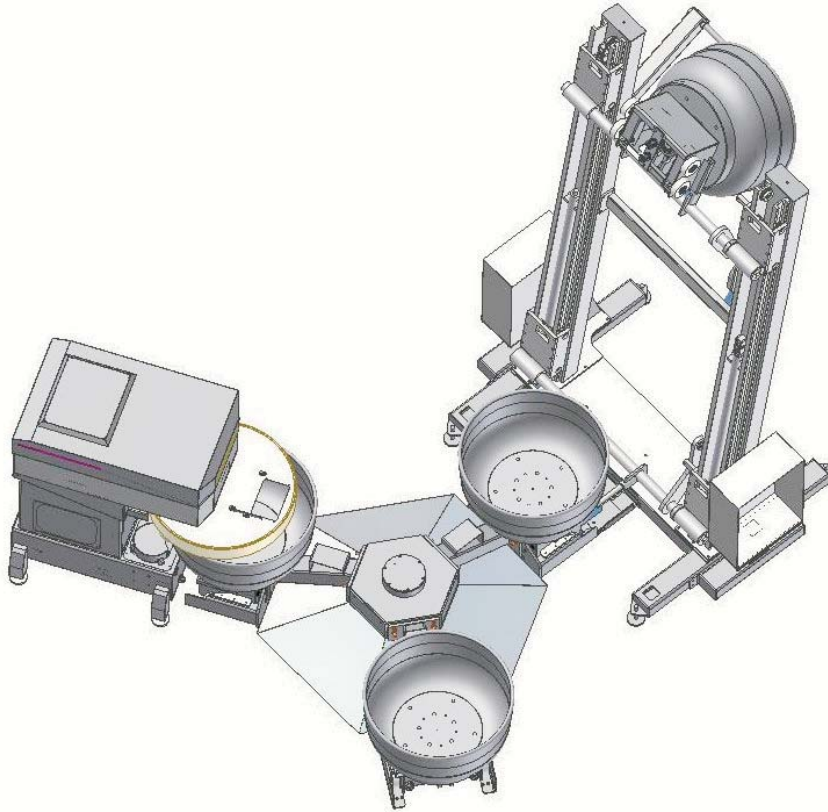




AUTOMATIC ROTATING PLANT



CAROUSEL FOR AUTOMATIC MOVING OF BOWL-CARRYING

FULL MIXING PHASE INTEGRATED SOLUTION

A carousel for automatic moving of bowl-carrying that serves the Working stations. Higher productivity and qualitative homogeneous products due to the automatic control of the mixers, the movement of the trolleys, dumpers and portioning hoppers.

HIGH PRODUCTIVE POTENTIALS - FLEXIBILITY - MODULARITY

For some productions, the quantity of dough that a compartment can handle can be as much as 2500-3000 kg/h and beyond.

MIXER designers in collaboration with the customer's technicians can customise the necessary plant for all mixing needs:

BY DEFINING the number and the type of Working stations (dough mixing, rest, lifting);

BY CALIBRATING the features and functions of the mixers, lifters and the portioning hoppers.

CLEANING AND MAINTENANCE EASE

Particular care is taken in the design to make the cleaning and maintenance of all the components of the plant simple.

FULL SOLUTIONS

The system can be made choosing machines from MIXER industrial range:

PRO E and **AVANT FORCE** with single or double SPIRAL

IBT E with BEATER ARMS

FOR E with FORK

MR double tool bridge shaped industrial planetary mixer



SINCE 1979

2057 East Aurora Road
Twinsburg, OH 44087
(800) 837-4427

probake@probake.com