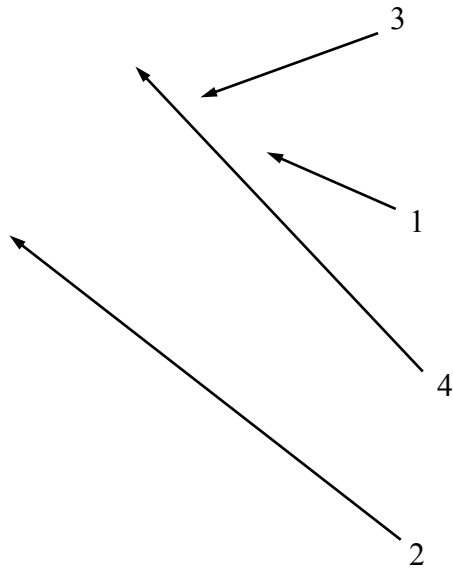


PRESENTATION



- 1— Ring
- 2— Discharge conveyor
- 3— Moving bell
- 4— Eccentric adjustment of the bell

WEIGHT AND PACKAGING DIMENSIONS

Net weight : 356 kg

Packing in openwork wood box :

Poids brut : 380 kg

Dimensions (Depth x Width x Height) :

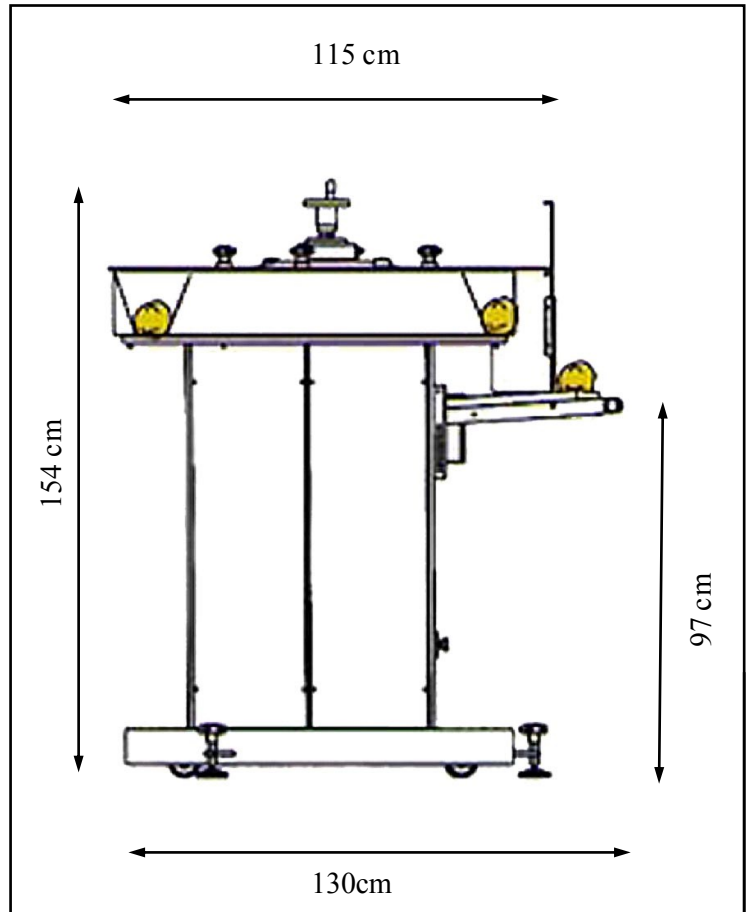
0,95 m x 0,95 m x 1,50 m

SECURITY - HYGIENE

The Eccentric rounder is in accordance :

- with 89/392 EEC, the directive on hatches.
- with the labour regulations

OVERALL DIMENSIONS



ELECTRICAL SPECIFICATIONS

- 380 Volts / 50 Hz / 1,12 Kw
- 380 Volts / 60 Hz / 1,12 Kw
- 220 Volts / 50 Hz / 1,12 Kw
- 220 Volts / 60 Hz / 1,12 Kw



MERAND

Dough processing expert

Distributed by :